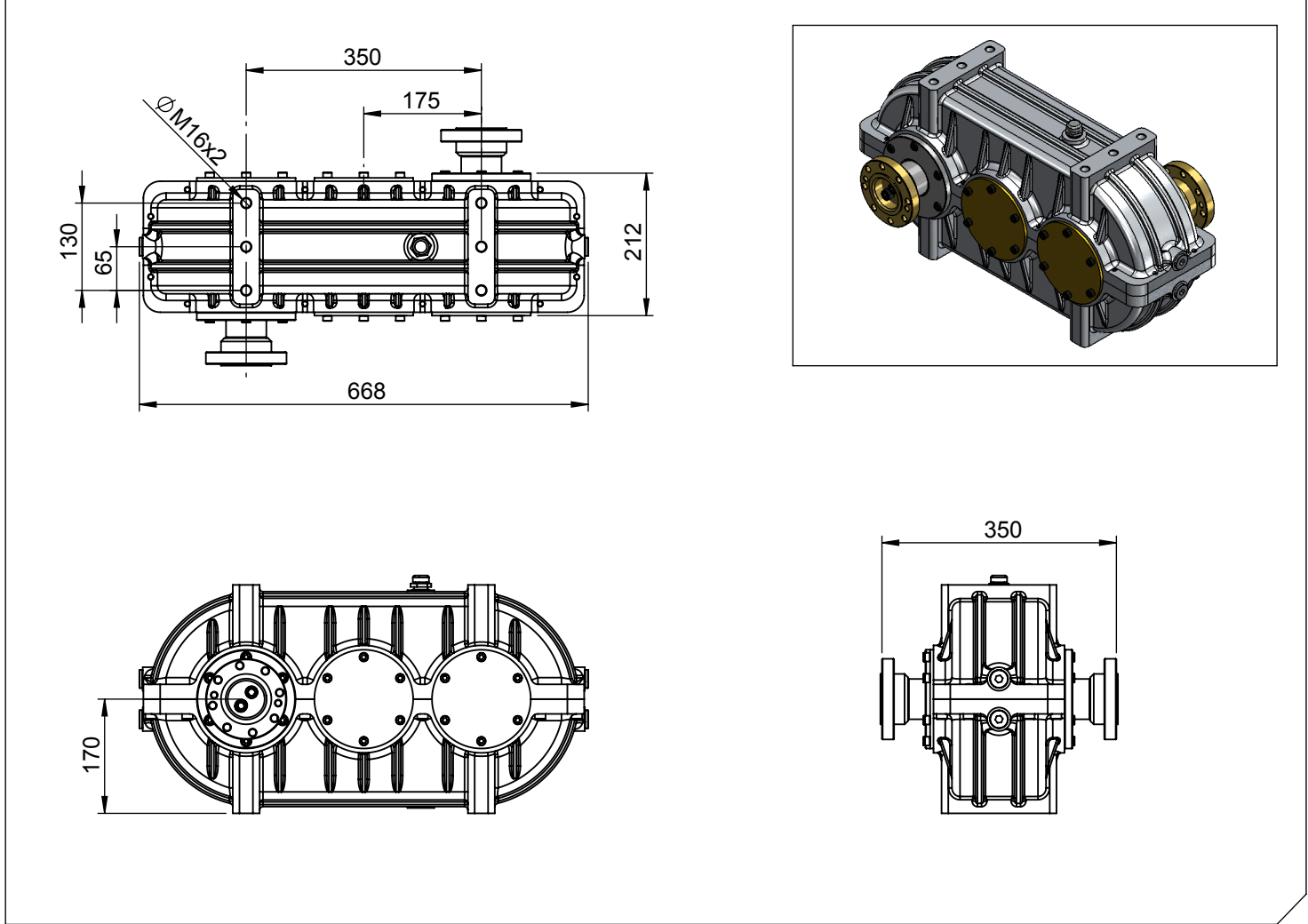


Application Type	Horizontal or Vertical Usage
Gearbox Type	3 Axis RPM Increaser or Decreaser

Product Code	KRD.11.F
Revision No- Date	00 / 16.05.2017

Products Views



Component Details

Reductor Input and Output Flange
(ISO 7646, ISO 7647, DIN, SAE, ISO, UNI Standards)

Technical Details

Max. Power	Max. Torque		Input/Output	Mounting Type	Sense of Rotation
	kW	Nm			
250	2383	243	1/1	Split Shaft	Same as input
			1/1,34		
			1/1,80	Weight	
1/2,52	85 kg				
1/3,53					